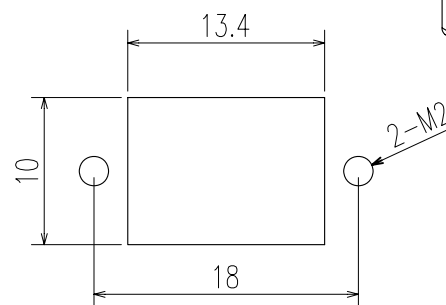
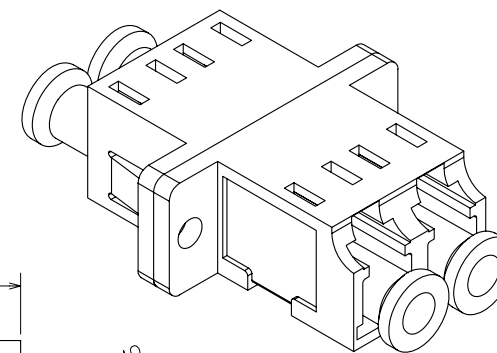
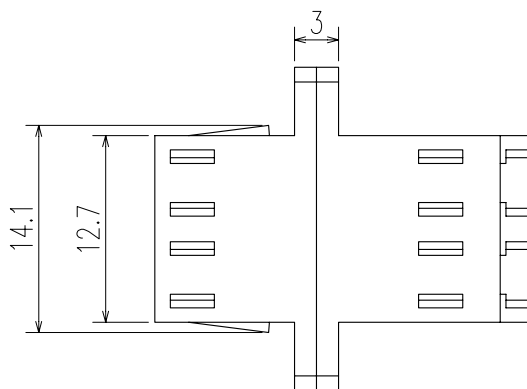
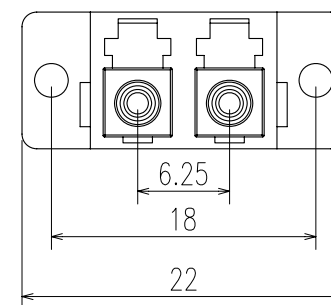
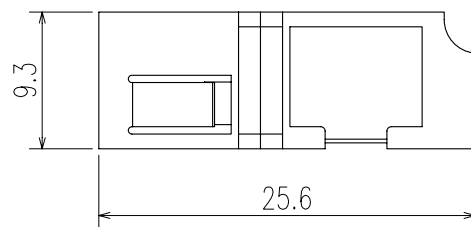


|      |         |      |             |          |           |         |        |
|------|---------|------|-------------|----------|-----------|---------|--------|
| Name | Adaptor | Type | LC-DUP-E-SJ | File NO. | SD-P00076 | Version | REV.01 |
|------|---------|------|-------------|----------|-----------|---------|--------|

Description: LC duplex adaptor with long flange, Senior-Junior type.

| Mode   | Housing Color |
|--------|---------------|
| SM/PC  | Blue          |
| SM/APC | Green         |
| MM     | Beige         |
| OM3    | Aqua          |

| Name    | Material |
|---------|----------|
| Housing | Plastic  |
| Sleeve  | Zirconia |



Install panel Cut-hole dimensions for reference

**Note:**

1. Visual inspection the adaptor have no visual abnormality, no obvious nick, burr and other mechanical damage. Use limit sample to check for any failures.
2. Test required:  $IL \leq 0.2\text{dB(SM)}$ ;  $IL \leq 0.1\text{dB(MM)}$